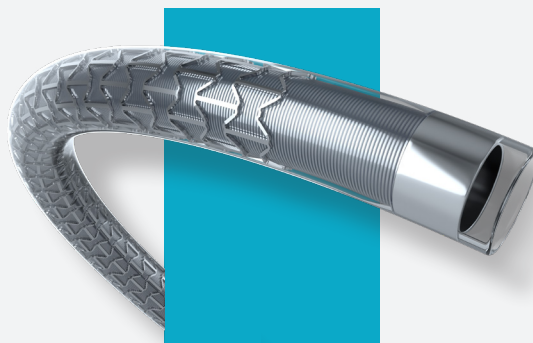




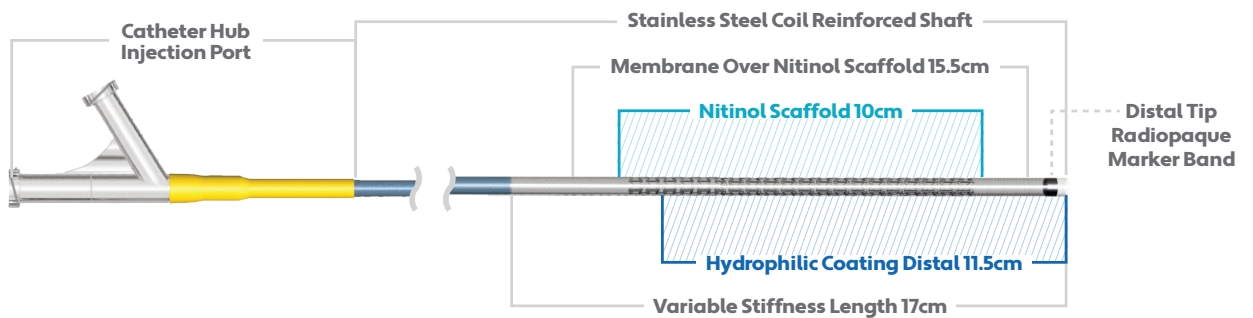
# I am Wahoo.

I'm a dual-mode catheter complete with two distinct operational modes. That means physicians can easily switch modes at any point during a clinical case—and I'll swiftly shift from tracking mode to support mode depending on what's needed of me.



## In the sea of access catheters, I swim alone.

My primary mode—tracking mode—allows me to maneuver in a soft, neurovascular-compliant fashion. And when I switch gears to support mode—I completely change the game by increasing my resistance to bending and support in the shape of the vessel I've assumed.



Tip Shape <b>Straight</b>	Outer Diameter (OD) <b>0.095"</b>	Guidewire Compatibility <b>0.035" - 0.038"</b>
------------------------------	--------------------------------------	---

### 0.072" ID

My 0.072-inch internal diameter allows for compatibility with multiple micro-catheters simultaneously.

### 105cm

My optimal 105-centimeter length is further optimized by my supportive Selectflex technology.

### 7 French

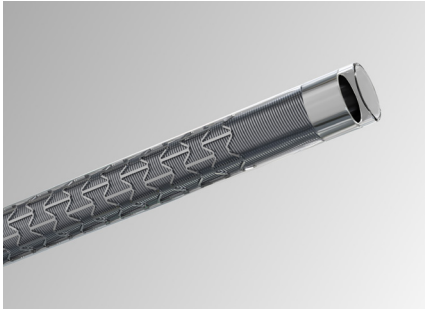
My 0.095-inch OD allows for compatibility with a 7 French system.

### Accessories

- Mode Control Syringe
- Peel-Away Introducer
- Luer-Activated Valve

# Here's how I deliver.

With my proprietary Selectflex Variable Stiffness Technology, I provide unparalleled tracking and support. But beyond my unique construction, I stand apart because, simply put, I can stand alone... rather than complicating procedures with the typical 'Tower of Power' structure. In short, my hybrid nature empowers caregivers by putting control into the physician's hands.



HOW I'M DIFFERENT —

## I was born to bend.

Much like my fellow catheter, the Walrus, I'm built to bend and weave as needed, even when navigating incredibly complex neurovasculature. So where does this smooth tracking stem from? A coil design with multiple seamless transitions.

**Attributes:**

- Variable shaft construction delivers flexible distal end
- Seamlessly transitions to a more supportive proximal section

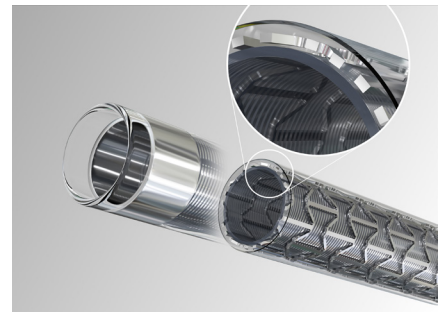
HOW I'M DIFFERENT —

## Yours through thick and thin.

The proprietary Selectflex Variable Stiffness Technology in my distal end means my trackable body can shift into an exceptionally supportive mode on demand. In this mode, my distal scaffolding will resist bending, providing the ultimate stability for device delivery.

**Attributes:**

- Used in cases with the most tortuous anatomy
- Supportive for the delivery of the most challenging devices



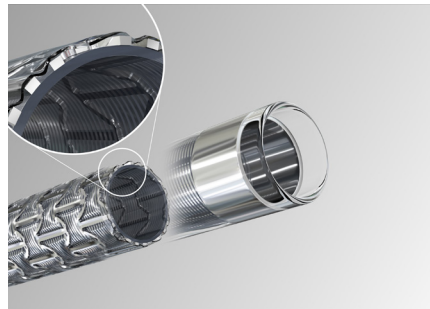
HOW I'M DIFFERENT —

## I'm your one and only.

Ultimately, my revolutionary dual-mode technology puts the power in your hands. I'm setting the standard here, and my hybrid nature means I simplify access and completely transform the flexibility and stability possible in neurovascular care.

**Attributes:**

- Physician controls a change of modes at any given moment during a clinical case
- Dual-mode technology eliminates the need for the "Tower of Power"



We're Q'Apel, a medical technology company that creates solutions. More specifically, we design novel access device technology for vascular interventions and unmet clinical needs. Because in the precious seconds that surround a stroke emergency, clinicians need technology that delivers. That's where we come in.

Get in touch | [info@qapelmedical.com](mailto:info@qapelmedical.com) | [linkedin.com/company/q-apel-medical](https://www.linkedin.com/company/q-apel-medical)

©2023. Q'Apel Medical, Inc. All rights reserved. MKT 00304.K

REF  
SF7072-105

Q'Apel Medical  
4245 Technology Drive  
Fremont, CA 94538

CALL TO INQUIRE: 510.738.6255

[qapelmedical.com](https://www.qapelmedical.com)